



TECHNICAL SPECIFICATIONS



Dimensions: 54-55 cm seat centres
55 cm depth
86 cm height

Backrest: Cold moulded polyurethane foam 'UNIBLOCK 2' system, which wraps an injected polypropylene frame completely. All this structure is protected by a texturized injected polypropylene seat shell. Polyurethane density 55 Kg/m³.

Seat: Cold moulded polyurethane foam 'UNIBLOCK 2' system, which wraps an injected polypropylene frame completely. All this structure is protected by a texturized injected polypropylene seat shell. The seat pan folds by means of an automatic noiseless maintenance-free double spring. Polyurethane density 65 Kg/m³.

Side panel: Texturized injected polypropylene. Anti-panic polystyrene writing pad system. Concealed floor fixation system.

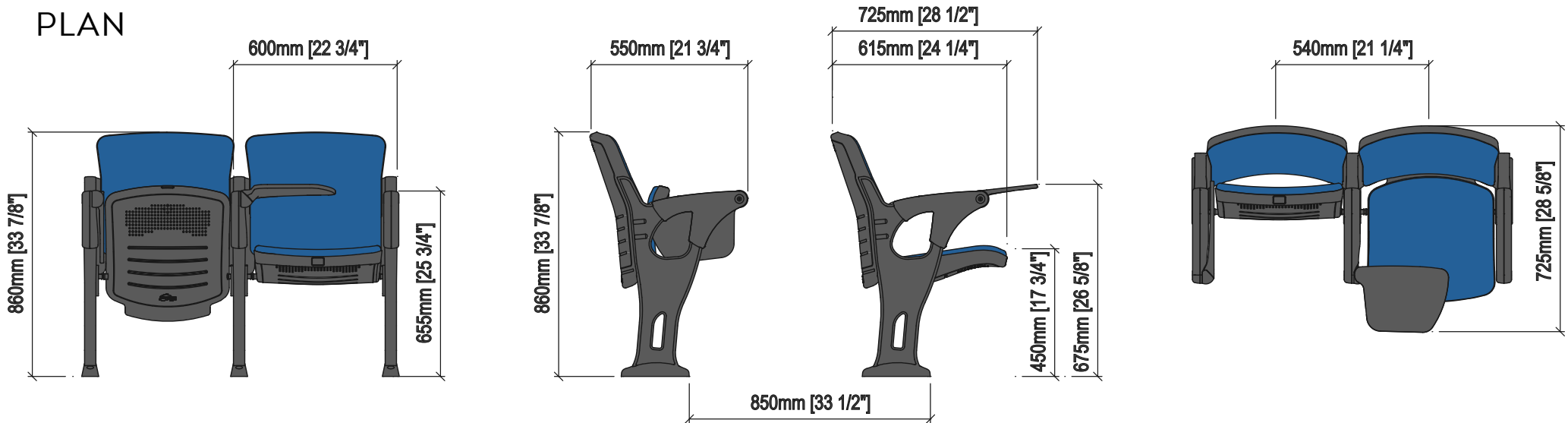
Armrest: Included in the very side panel

Volume: 0.08 m³ / unit

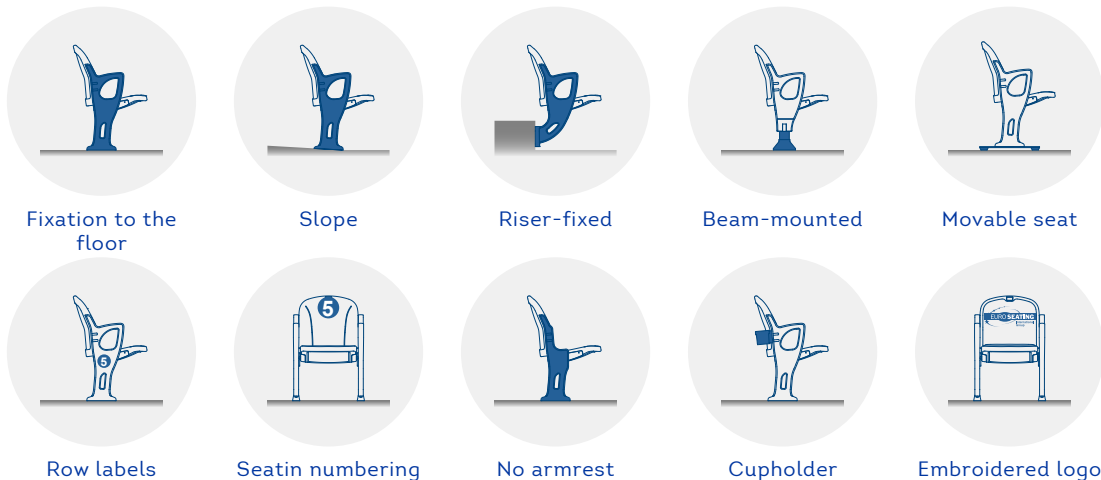
Weight: 12 Kg not assembled

MAIA PL

PLAN



OPTIONS



CERTIFICATES

BS 5852:2006
 BS-EN 1021-1:2006
 CAL TB 117-2013, SECTION 1
 UNE 23.727-90 1R (M1)
 UNE-EN 1021-1:2006 / UNE-EN 1021-2:2006
 BS 5852:1979 Parte 1
 UNE 23.727-90 1R (M2 / M3) Opcional
 UNE EN 12727:01 Uso Público Severo (Nivel 4)

Fabrics	Fire barrier	Foam	Plastic	Seat
•				
•				
•				
•	•			
•	•	•		
	•			
			•	
				•



Euro Seating reserves the right to modify the dimensions and characteristics without prior notice. All dimensions and specifications are given for information purposes only.